

THIS DRAWING IS UNPUBLISHED.

RELEASED FOR PUBLICATION

© COPYRIGHT BY TYCO ELECTRONICS CORPORATION.

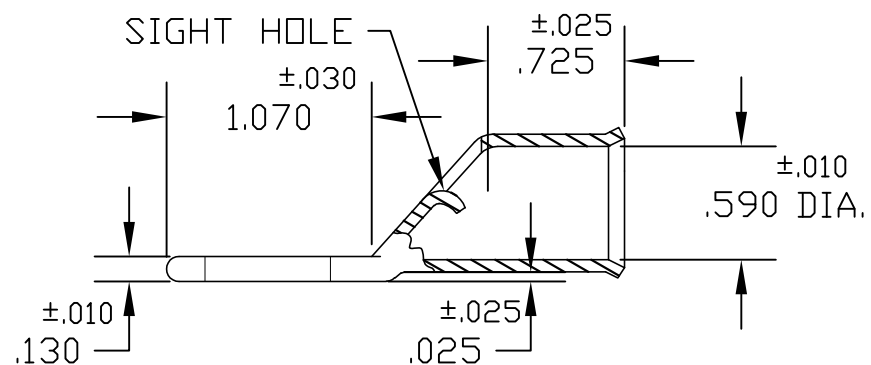
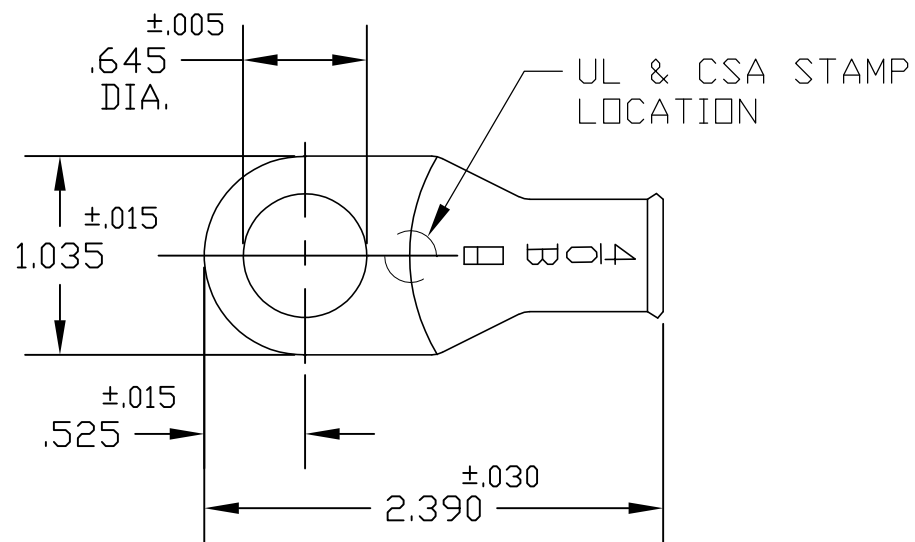
ALL RIGHTS RESERVED.

LOC  
G

DIST  
50

REVISIONS

P	LTR	DESCRIPTION	DATE	DWN	APVD
	C	REV PER ECR 07-014512	21JUN07	JR	DD



ACTIVE	40582-03	STANDARD	TIN PLATE	1526884-2
OBSOLETE	40582-02	STANDARD	PLAIN	1526884-1
STATUS	AET P/N	PACKAGING	FINISH	PART NUMBER

THIS DRAWING IS A CONTROLLED DOCUMENT.		DWN D.A.A 11/3/00	Tyco Electronics Corporation Harrisburg, PA 17105-3608		
DIMENSIONS: INCHES		CHK H.D.F 11/3/00			
		APVD H.D.F 11/3/00	PRODUCT SPEC -		
		APPLICATION SPEC -	SIZE A3	CAGE CODE 00779	DRAWING NO C-1526884
MATERIAL COPPER ASTM B-152		FINISH -	WEIGHT -	RESTRICTED TO -	
CUSTOMER DRAWING			SCALE 1:1	SHEET 1 OF 1	REV C